

SHALLOW-DIP-TECHNOLOGY + CONTACT HEAT
STAY-COOL EDGE

COOK TOP SPECIFICATIONS

Size: **L 20" x W 15" x H 1-9/16"** (504 x 380 x 40 mm)
~165 square inches HOT SPOT perfect for 2 to 4 people
 Total cooking area ~234 sq/in incl. warming
INDOOR + OUTDOOR USE | IPX4 RATED

Material: Professional Food Grade Best Alloy German
 Stainless Steel type 304 (V2A)
 Solid 1/8" (3 mm) cold pressed, hand-
 welded. Silk-brushed hand-finish.

Power: 120v/230V / 1800W / 8A **CE**

Analog temperature control:
 1-10 dial | 2 indicator lights | thermostat
Contact Heat: 130°F to 450°F (55°-230°C)

1 Year Limited Manufacturer Warranty.

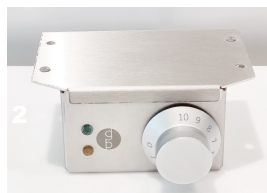
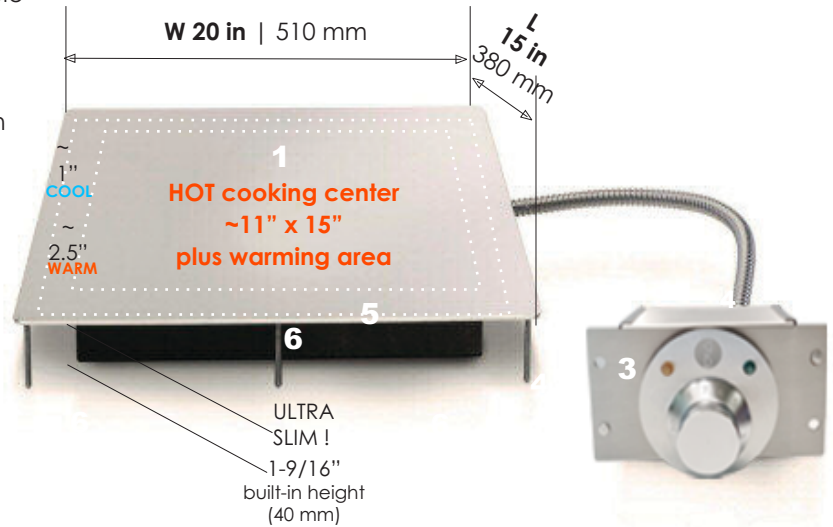
Material + Craftsmanship.
 1 Year limited manufacturers':
 Electrical + electronic parts + labor.

VDE-issued European Safety Approval.
 Electrical + electronic Components:
 UL approved.

OPTIONS:

- control box "A" for open mount + outdoors
- control box "B" for interior mount (default)

Ship weight 27 lbs. | ship size 36" x 31" x 7"
 Ship weight 14 kg | ship size 93 x 74 x 13 cm



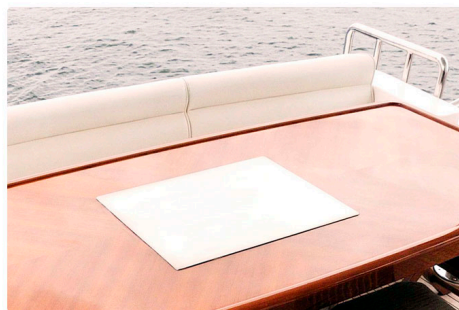
"A" box



"B" box front plate

- 1 SOLID 304 | V2A STAINLESS STEEL TOP
- 2 CONTROL BOX "A" for open under mount
- 3 CONTROL BOX "B" for concealed mount
- 4 FLEXIBLE CONDUIT
- 5 SEALED HEATING ELEMENT ENCLOSURE
- 6 STAINLESS STEEL MOUNTING BOLTS 1-3/4" long
stainless steel washers & nuts included

10 ft POWER CORD, included

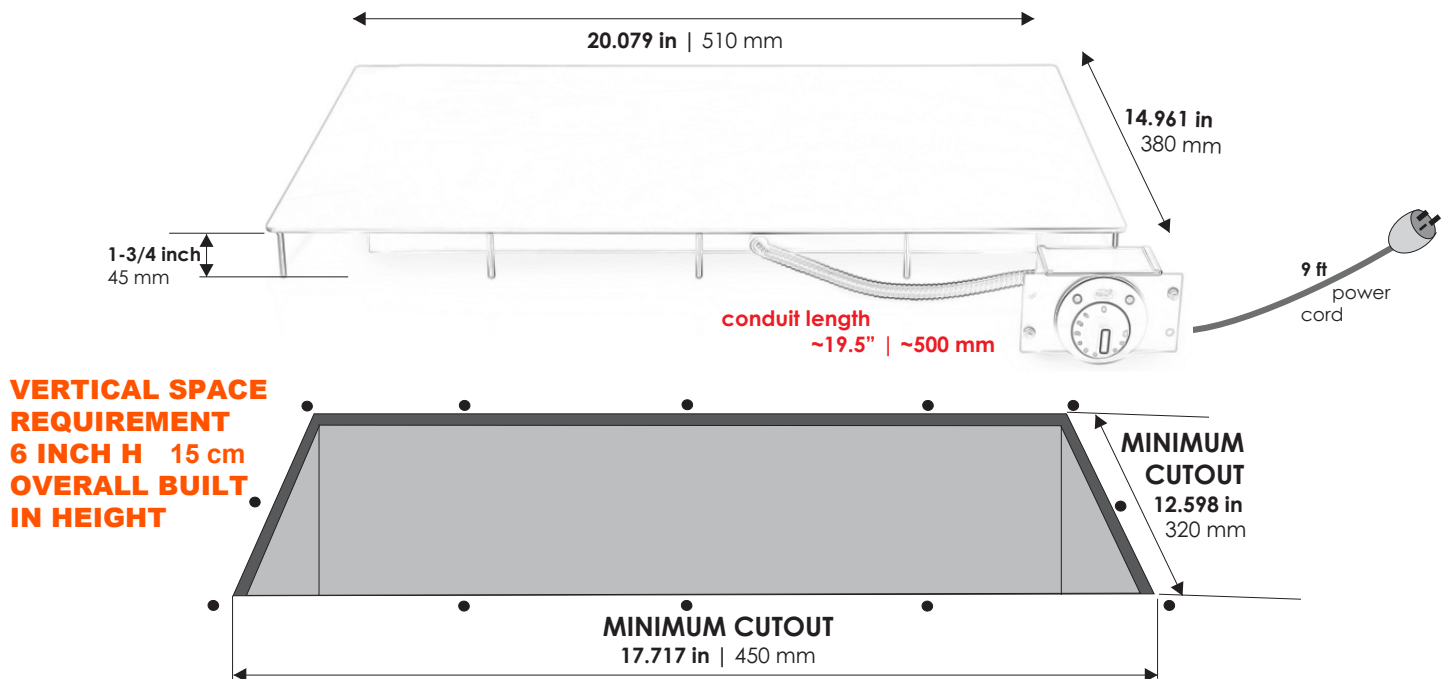


Electrical Rating: 120V | 1800 Watt | 15 AMP | 50-60 Hz >> **Requires 20 AMP Dedicated Electrical Breaker** <<
1.8 kWh on high (alt. ProStyle 2250W-240V, 10 AMP)

▶▶ ALWAYS Check control box label for correct voltage BEFORE plugging in!

Bolts are 1-3/4 inch (45 mm) long; bolt diameter is 13/64"Ø (5 mm) ▶▶ drill 5/16"Ø (8 mm)

!!! IMPORTANT: DO NOT DRILL NOR CUT ANY HOLES BEFORE UNIT IS PHYSICALLY PRESENT
!!! DO NOT CUT OFF THE BOLTS !! DO NOT OPEN CONTROL BOX OR WARRANTY EXPIRES !!!



**VERTICAL SPACE
REQUIREMENT
6 INCH H 15 cm
OVERALL BUILT
IN HEIGHT**

▶▶ The Control Box **MUST** be firmly fastened to a **NON-MOVING** surface. Conduit + power cord to be secured.

▶▶ **CAUTION: DO NOT SNAP, PULL or TWIST THE CONDUIT DURING INSTALLATION !!!**

Warranty becomes void if capillary tube (thermostat) inside the conduit is damaged during installation.

1. Mark bolt holes, drill 5/16 inch Ø | 8 mm olts will fit holes loosely. Clean counter surface thoroughly!!!

2. Clean underside edges of unit and counter top around cut out with rubbing alcohol or similar.

Optional: Apply thin bead of Silicone Sealant - not glue - around the edges of the underside of the unit. This protects from potential moisture intrusion. Mandatory when installed outside without weather cover.

!!! IMPORTANT: MAKE SURE TO PREVENT SILICONE FROM GETTING INTO THE BOLT HOLES !!!

3. Slide cook top into place. Do not apply excessive force. Unit needs to slide in without any resistance. Press down evenly to compress Silicone. Secure **ALL* BOLTS** with supplied nuts and washers from underneath to ensure proper function. Find nuts, washers and the extension key for "B" control in a small plastic bag inside the box. **!!! IMPORTANT: Tighten nuts with hand tool only. Do not use any power tools!!!** *otherwise warranty becomes void.

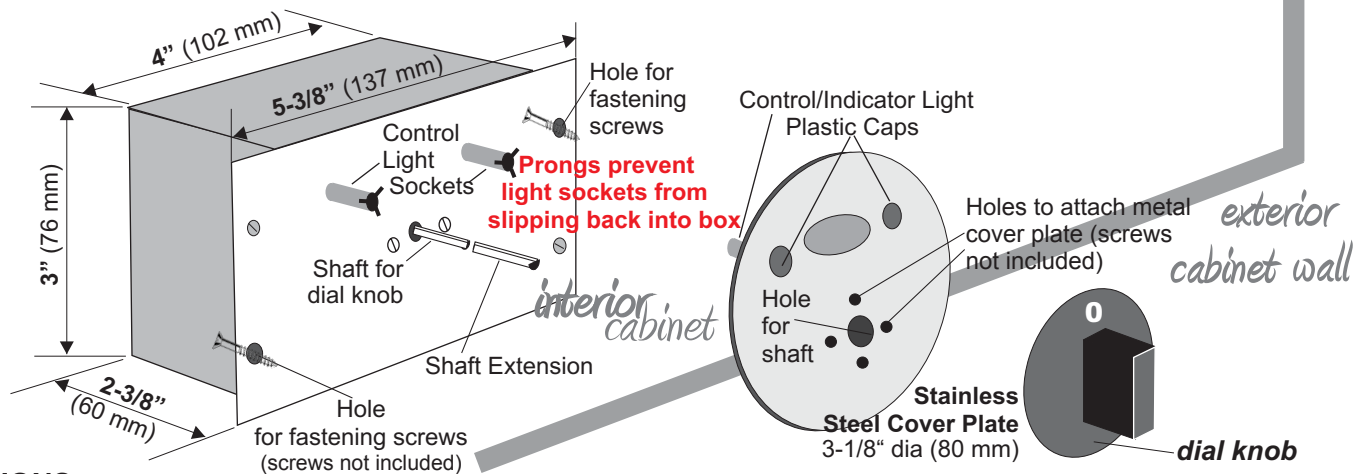
4. Mark, drill and fasten the control box into place ▶▶ **REFER TO SEPARATE INSTALL SHEET FOR "B" CONTROL**

Optional: seal the round metal plate with Silicone to prevent potential moisture intrusion.

Connect the power cord **VERY FIRMLY** to the rear of the control box. **IMPORTANT: Check label and outlet for correct voltage!!!** Now connect the electrical 3-prong plug (other end) to a properly grounded power outlet.

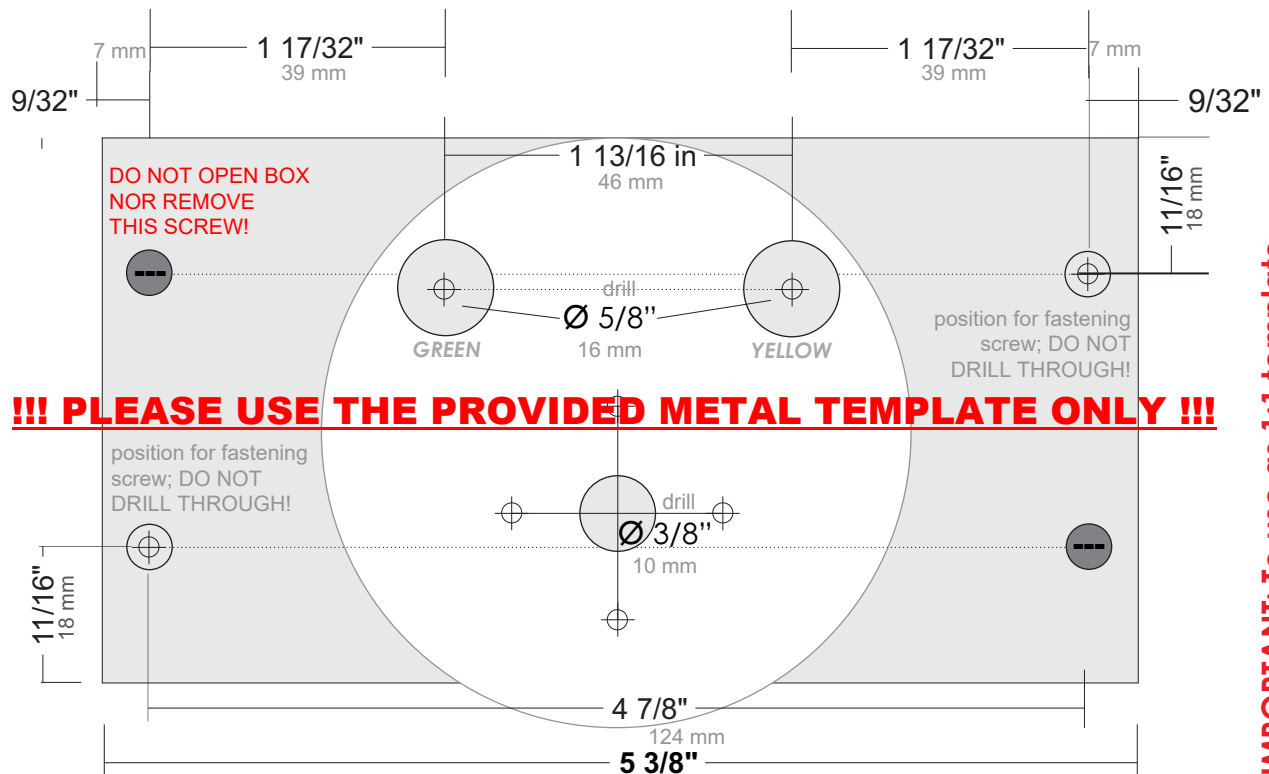
▶▶ **CAUTION: DO NOT SNAP, PULL or TWIST THE CONDUIT DURING INSTALLATION !!!**
Warranty will expire if capillary tube inside the conduit is damaged during installation.
Control box must be firmly fastened to a non-moving surface.

▶▶ **VERY IMPORTANT: Do not open the control box or warranty expires !!!**



DIRECTIONS:

1. Remove packaging and carefully pull off the DIAL KNOB ONLY while holding on to the round plate. Do not use force or tools!
2. Now separate the round steel plate from Control Light Sockets by carefully wiggling it away WITH the yellow and green light plastic caps. Hold one with two fingers and gently pull plate away; repeat with other. Yellow and green PLASTIC CAPS STAY IN PLACE in the plate.
3. Mark all necessary holes utilizing the provided template below. Drill required holes and gently thread light sockets through their designated openings. **DO NOT SNAP THE PRONGS!** Now fasten the box to interior of cabinet wall or underside of counter top.
4. Gently pull light sockets out a little bit and re-connect with plastic caps in the metal plate; affix plate with two small flathead screws, or silicone into place. **CAUTION: DO NOT TWIST OR SNAP DELICATE WHITE WIRING OF INDICATOR LIGHTS.**
5. Connect the hollow extension to shaft if needed (packed with nuts + washers). Slide dial knob onto stem (match flat side of stem with flat side of female receptacle at back of knob). Do not use force.



!!! PLEASE USE THE PROVIDED METAL TEMPLATE ONLY !!!

▶▶ 137 mm - PLEASE MEASURE ACROSS TO MAKE SURE TEMPLATE IS 1:1

IMPORTANT: To use as 1:1 template set "page scaling" to "none" when printing