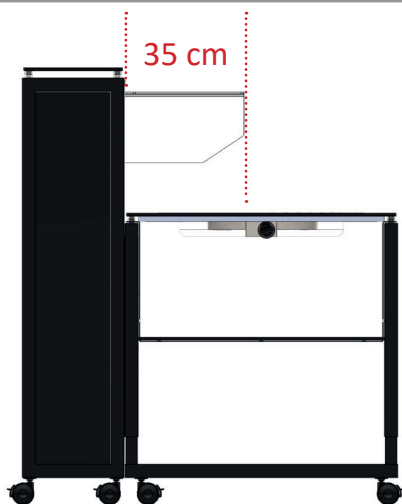
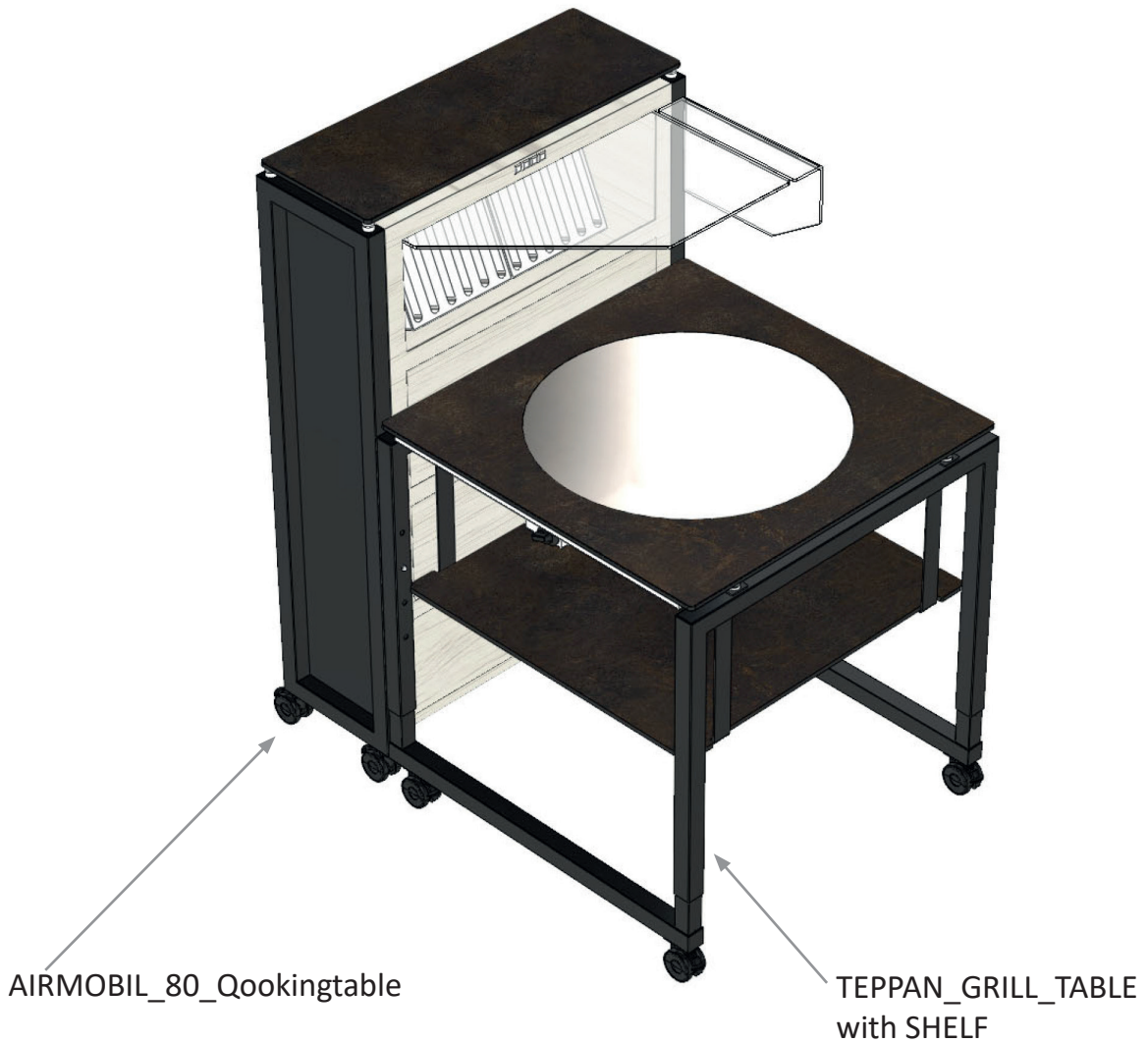


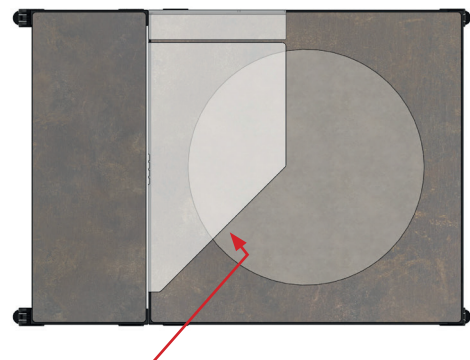
SPECIAL VERSION for Qookingtable / usage at a TEPPAN_GRILL_Table

The TEPPAN_GRILL_TABLE by Qookingtable is a special version of a round grill plate. In order to achieve an optimal result in the collection of cooking vapors, the AIRMOBIL requires a special dimensioning of the shields.

>>> eliminate kitchen odors, bacterias, viruses, germs, spurs



Top View: TEPPAN_GRILL_TABLE with special exhaust shield



special angle to have free space for cooking

**Item No.: QKT-66039**

[LxWxH]: 800 x 300 x 1278 mm
total weight: 69 kg

Housing

material: stainless steel 1.4301
guest side / sides: special magnetic stainless steel 1.4416 to install FRONT- and SIDEBLINDS
Classification: DIN EN 1008-3, approved for the food industry

Frames (left/right)

material: steel, powder-coated, profile 40 x 40 mm
4 x castor, available diameter
Ø = 50 mm (Item No.: QKT-66038)
Ø = 65 mm (Item No.: QKT-66039)
Ø = 75 mm (Item No.: QKT-66040)
all castors with brake

Table-top

dimensions: 290 x 790 x 10 mm
material: safety glass or compact panel, 10 mm
weight: glass 12 kg / compact panel 7,5 kg

Top shield

dimensions: 635 x 550 x 6 mm
material: safety glass
weight: 4,5 kg

Side shield

dimensions: 350 x 200 x 70 mm
material: acrylic glass, 6 mm
weight: 0,6 kg

Technical data

Filter: 2 x professional combi filter type A (grease eddy current/mesh), plasma filter, carbon filter
 Odor removal: cooking + kitchen smells, nicotine, aerosols

Filter properties: bacteria, virus, germs, spurs

Condensate tray: (2x) 250x35 mm inox 1.4301

Connected value: 1/N/PE AC 230V 50Hz, 130W

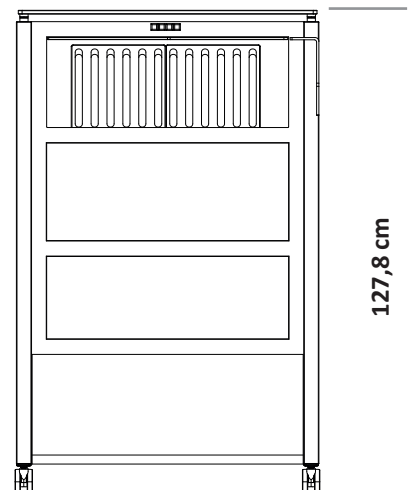
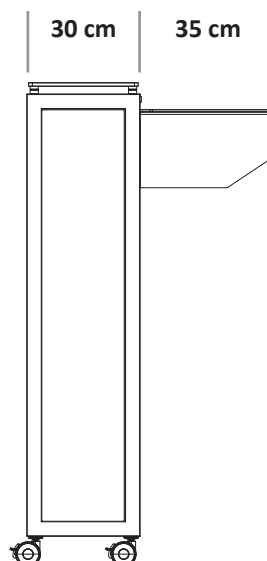
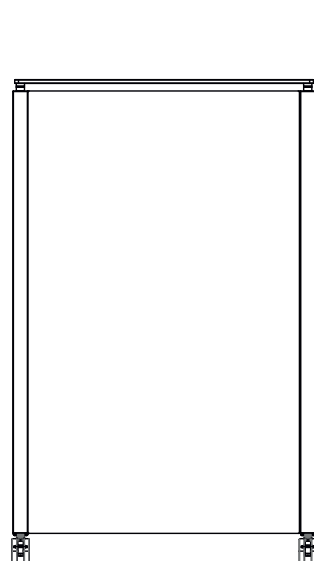
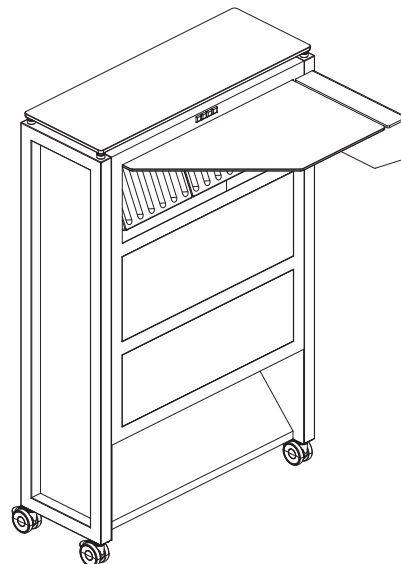
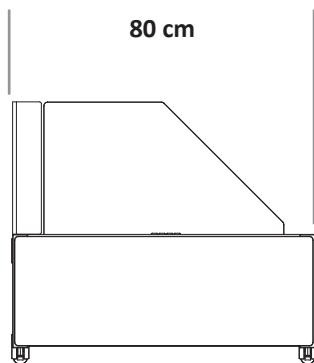
Operational loudness: max. 54 dBA

Power Level: 1/470 m³h, 2/570 m³h; 3/670 m³h, 4/820 m³h, with trailing automatic

10/60 min Cable: 1,5 m, schuko type F on cold device socket type C19

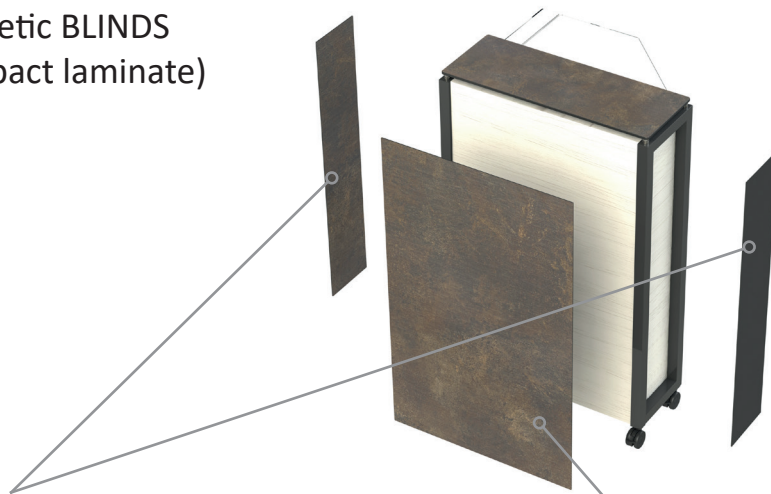
LED light: 7,5 W with 3800K neutral white

Warranty: 1 year



additional equipment

magnetic BLINDS
(compact laminate)



Item No.: 38088
SIDEBLIND_AIRMOBIL_80

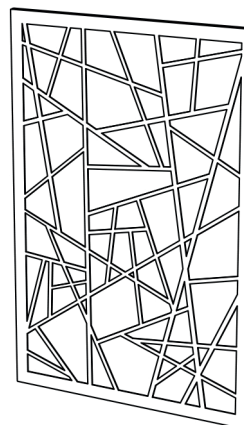
Item No.: 38087
FRONTBLIND_AIRMOBIL_80

additional equipment

magnetic BLINDS
(metal + polyester)



Item No.: 38090
SIDEBLIND_AIRMOBIL_80_BAMBOO_COVERED



Item No.: 38089
FRONTBLIND_AIRMOBIL_80_BAMBOO_COVERED



Item No.: 11162
plugbar_CEE_400V_3x16A_3600W



Item No.: 11163
plugbar_UK_230V_13A_3200W

additional equipment

Item No.: 78011666

PROTECTIVE_COVER_AIRMOBIL_80



Item No.: 99148

Trolley_AIRMOBIL_80

